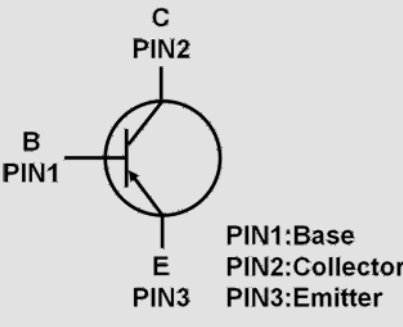
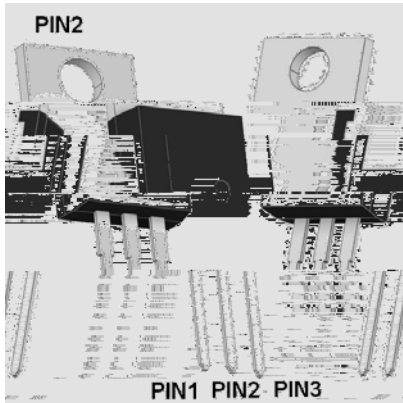


313 +LJK 3RZHU %LSRODU 7UDQVLV



```

)HDWXUHV
" (SR[\ 0HHWV 8/ 9 )ODPPDELOLW\ 5D
" +DORJHQ )UHH

$SSOLFDWLRQV
" &RPSOHPHQW WR 7,3 /
" +LJK '& &XUUHQW *DLQ

0HFKDQLFDO 'DWD
" 3DFNDJH 72 $%
" 7HUPLQDOV 7LQ SODWHG OHDGV VR
DQG -(6' %
" 8QLW :HLJKW J
    
```

v0D[LPXP 5DWZDJV XQOHVV RWKHUZLVH QRWHG

,WHP	6\PERO	8QLW	9DOXH
'HYLFH PDUNLQJ FRGH			7,3 /
&ROOHFWRU EDVH YROWDJH	&%2	9 9	
&ROOHFWRU HPLWWHU YROWDJH	&(2	9 9	
(PLWWHU EDVH YROWDJH	(%2	9	9
&ROOHFWRU FXUUHQW	&	,	\$
3RZHU GLVVLSDWLRQ 1RWH	.	3	:
7KHUPDO UHVLVWDQFH MXQFWLRQ WR DPDLHQW	3WK	3WK	
-XQFWLRQ WHPSHUDWXUH	M	- 7	WR
6WRUDJH WHPSHUDWXUH	67*	-7	WR

1RW'HYLFH PRXQWHG RQ 3&% ZLWK PLQLXP UHFRPPHQDOKSDG ODOXW DRQG DPP [PP DW



v(OHFWULFDO & KDZDFWJH QDMWV FRWKHUZLVH QRWHG

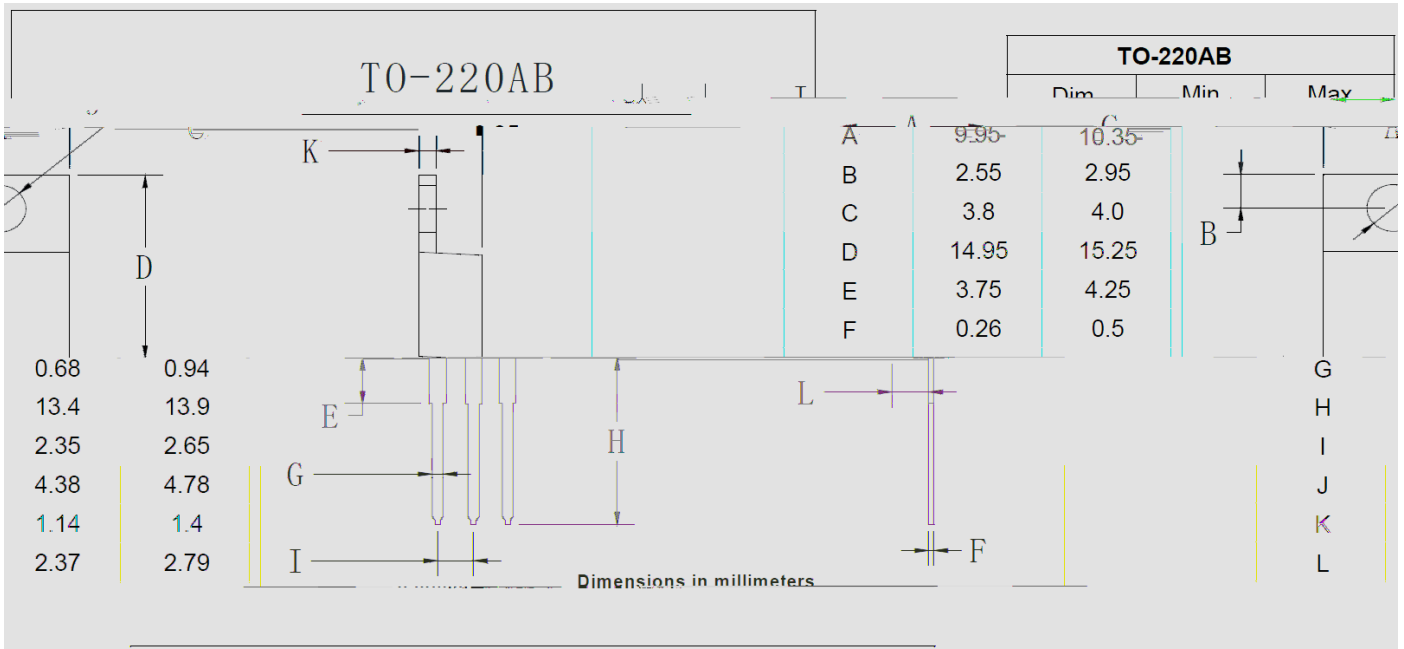
,WHP	6\PERO	8QLW	&RQGLWLRQV	0LQ	7\S	0D[
&ROOHFWRU EDVH EUHDNGRZQ YROWDJH	%3,9		& P\$9,9	,		
&ROOHFWRU HPLWWHU EUHDNGRZQ YROWDJH	%2,2		& P\$9,9	,		
(PLWWHU EDVH EUHDNGRZQ YROWDJH	%1,9		(P\$ &9	,		
&ROOHFWRU EDVH FXW RII FXUUHQW	%1,2		& ,9 P \$		9	
&ROOHFWRU FXWR II FXUUHQW	&(2		&(, 9 P \$		9	
(PLWWHU EDVH FXW RII FXUUHQW	%2		(% , 9 P \$		9	
'& FXUUHQW JDLQ) (K	9&(9 &, \$			
			9&(9 &, \$			
&ROOHFWRU HPLWWHU VDWXUDWLRQ YROWDJH	%1,1		& \$ % , P\$			
			& \$ % , P\$			
%DVH (PLWWHU 9ROWDJH	% (9 &(9 &, \$		9	
&ROOHFWRU EDVH RXWSXW FDSDFLWDQFH			&% 9 (, &RE 0+] S)	9		

v 2UGHULQJ , QIRUPDWLRQ

35() (5(' 3 1	3\$&.,1* &2' (0,1,080 3\$&.\$*(SFV	,11(5 %2; 48\$17,7< SF\	287(5 &\$572 48\$17,7< SF	'(/,9(5< 02' (
7,3 /	%	7XEH			7XEH



v 72 \$ % 3DFNDJH LQIRUPDWLRQ



v 0DUNLQJ FRGH



<DQJ-LH /2*2
 <<:: Ö<< \H DUV :: ZHHN
)RU H[DPSOH UHSUHVHWHUHQWV W WWHK LLU VHD Z H F
 7,3 / 3URGXFW PRGHO



'LVFODLPHU

7KH LQIRUPDWLRQ SGRFWRUHQW LG IRU KLW DQJH KH BQOMLH (OHFWURQLF 7HFHQRO
ULJKW WR PDNH FKDLFH VRZL WKRXWSKRLSLURDGXIFRQ/ FGLWSOD\HG KHUHLQ WURGLPVLWJ
RU RWKHUZLVH

7KH SURGXFW OLVVJCH & HWRIEQ LXV B GHZLWHKF B DV B PRWL YGHVLJQHG IRU XVH LQ PHG
OLIHVXVWDLQLQJMBH RUODQIRQH<BQXPVV B R K D H M S B Q V L E L O L W \ R U O L D I E L F O L W X F R U L
PSURSHU XVH RI VDOH

7KLV SXEOLFDWLRQ SVXDFHUV D G I V L Q U R Q P D X S L S Q L B G H Y R U X D G L R V L F S O D H D V B W R H U P L W R X
K W W VZ Z \ DQJMLHRFR P R Q V X O W \ R X H U T Q H D D O H W W R + D G J M L R W D B W K H U D