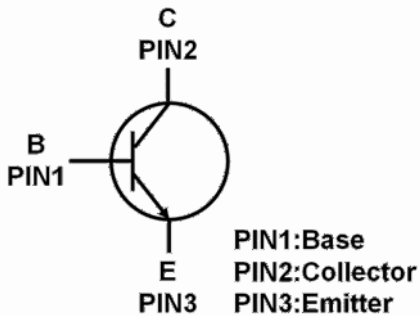
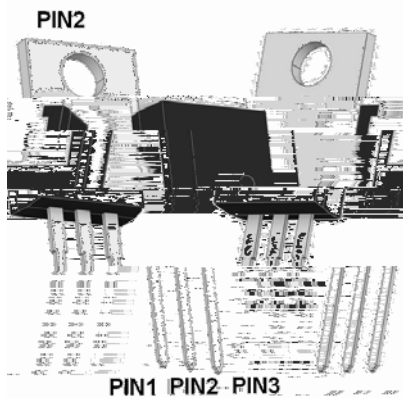


NPN Transistor



Features

Epoxy Meets UL 94 V-0 Flammability Rating
Halogen Free

Applications

Complement to TIP127L
High DC Current Gain

Mechanical Data

Package: TO-220AB
Terminals: Tin plated leads, solderable per J-STD-002 and JESD22-B102
Unit Weight: 1.9g

Maximum Ratings (Ta=25 unless otherwise noted)

Item	Symbol	Unit	Value
Device marking code			TIP122L
Collector-base voltage	V_{CBO}	V	100
Collector-emitter voltage	V_{CEO}	V	100
Emitter-base voltage	V_{EBO}	V	5
Collector current	I_C	A	5
Power dissipation (*)	P_D	W	2
Thermal resistance, junction-to-ambient (*)	R_{thJA}	/W	35
Junction temperature	T_j		-55 to +150
Storage temperature	T_{STG}		-55 to +150

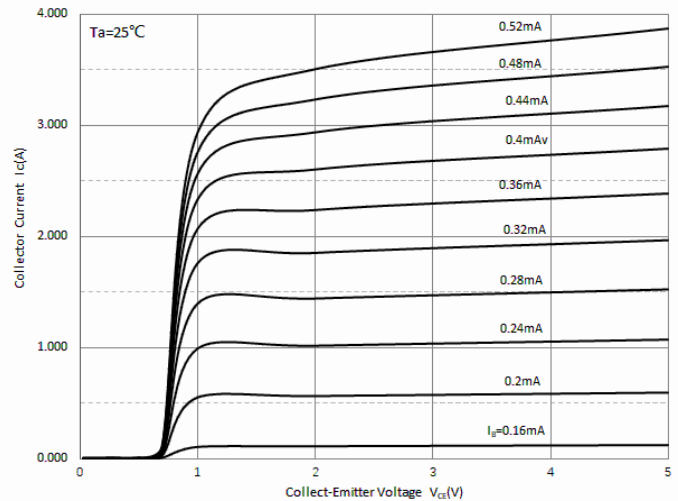
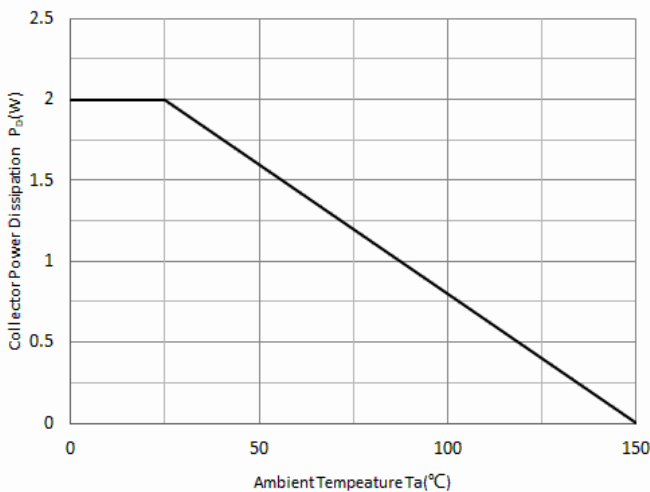
(*) Device mounted on PCB with minimum recommended pad layout and additional heat sink (25mm x 23mm x 15mm) attached.



Electrical Characteristics (Ta=25 unless otherwise noted)

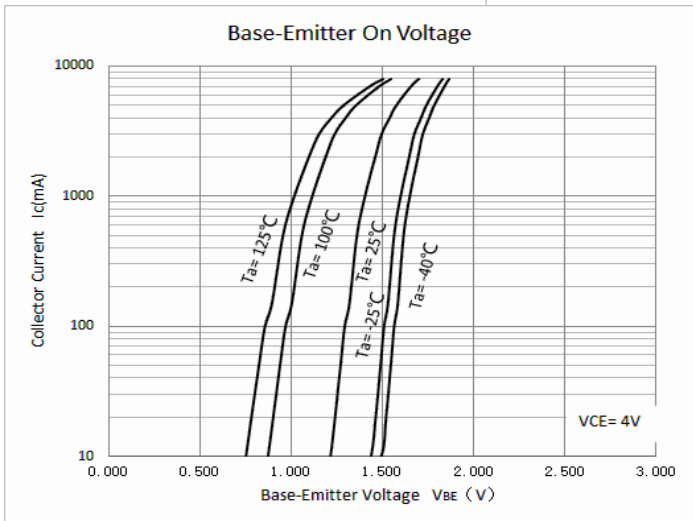
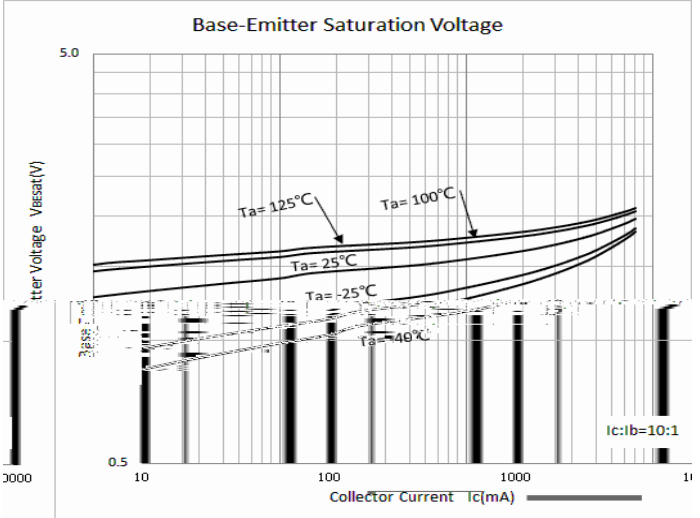
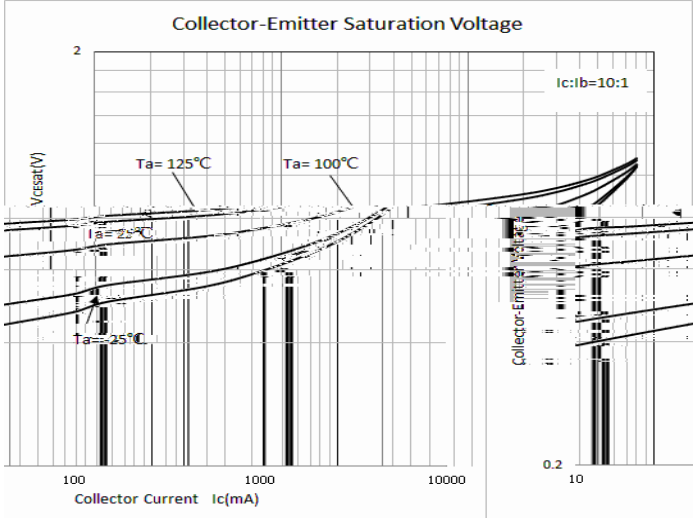
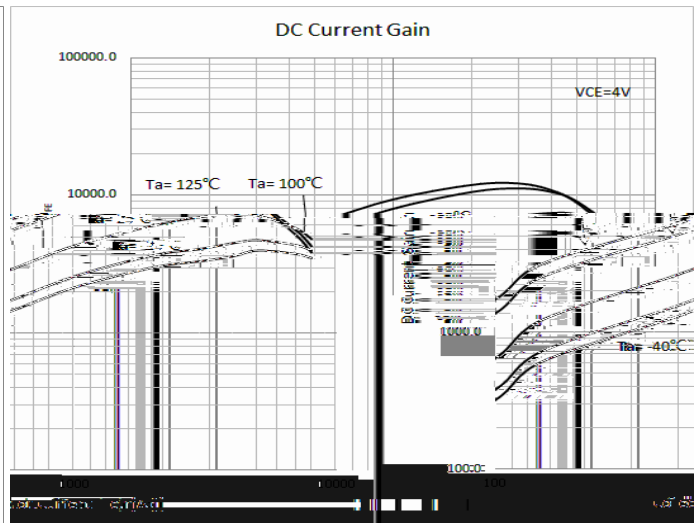
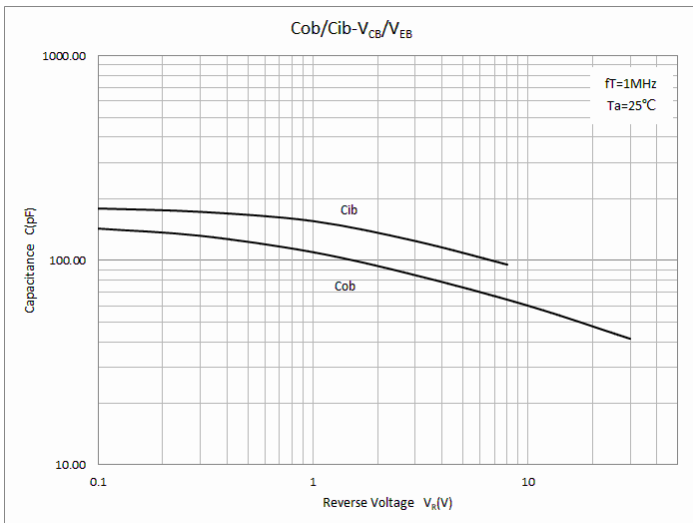
Item	Symbol	Unit	Conditions	Min	Typ	Max
Collector-base breakdown voltage	$V_{(BR)CBO}$	V	$I_C=1mA, I_E=0$	100		
Collector-emitter breakdown voltage	$V_{(BR)CEO}$	V	$I_C=30mA, I_B=0$	100		
Emitter-base breakdown voltage	$V_{(BR)EBO}$	V	$I_E=2mA, I_C=0$	5		
Collector-base cut-off current	I_{CBO}	mA	$V_{CB}=100V$			0.2
Collector cutoff current	I_{CEO}	mA	$V_{CE}=50V$			0.5
Emitter-base cut-off current	I_{EBO}	mA	$V_{EB}=5V$			2
DC current gain	h_{FE}		$V_{CE}=3V, I_C=0.5A$	1000		
			$V_{CE}=3V, I_C=3A$	1000		
Collector-emitter saturation voltage	$V_{CE(sat)}$	V	$I_C=3A, I_B=12mA$			2.0
			$I_C=5A, I_B=20mA$			4.0
Base-Emitter Saturation Voltage	$V_{BE(sat)}$	V	$I_C=3A, I_B=12mA$			3.0
			$I_C=5A, I_B=20mA$			4.0
Base-Emitter Voltage	V_{BE}	V	$V_{CE}=3V, I_C=3A$			2.5
Collector-base output capacitance	C_{ob}	pF	$V_{CB}=10V, I_E=0A, f=1MHz$		60	

Characteristics(Typical)





Characteristics(Typical)





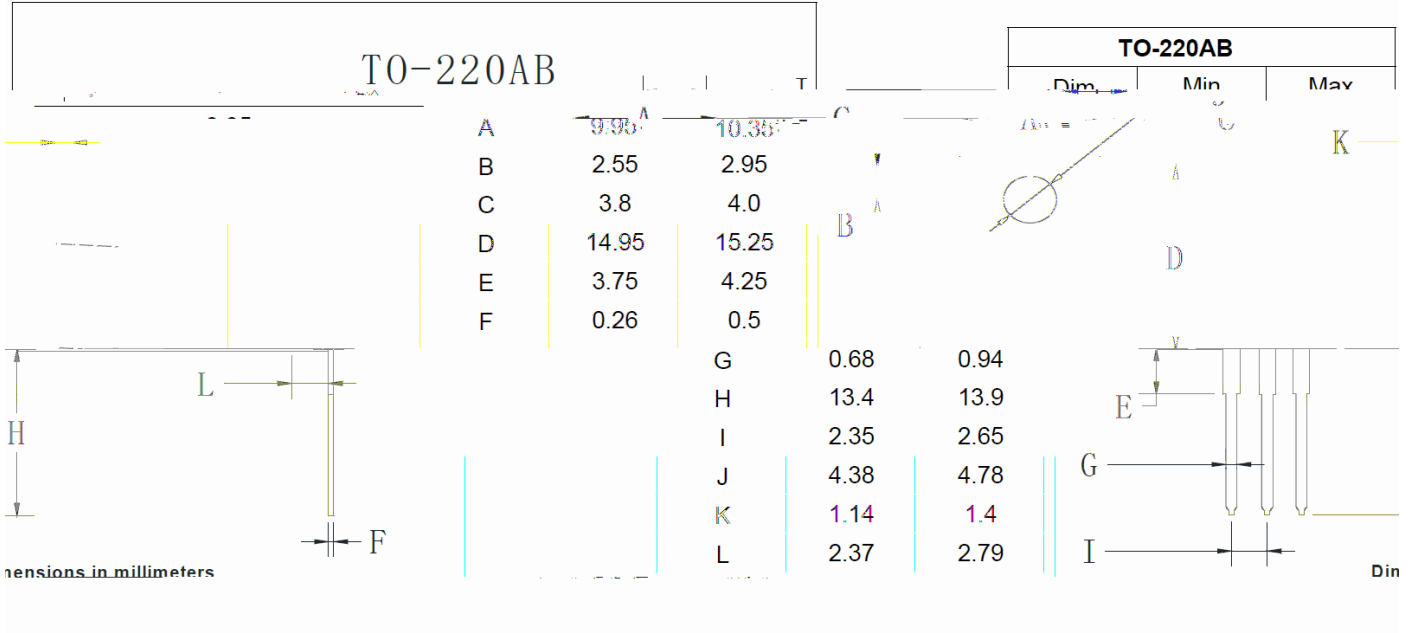
TIP122L

RoHS
COMPLIANT

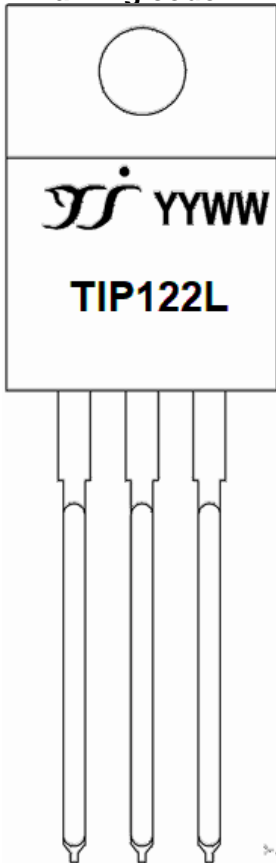
Ordering Information (Example)

PREFERED P/N	PACKING CODE	MINIMUM PACKAGE(pcs)	INNER BOX QUANTITY(pcs)	OUTER CARTON QUANTITY(pcs)	DELIVERY MODE
TIP122L	B1	50/Tube	1000	2000	Tube

TO-220AB Package information



Marking code



Yangjie LOGO

YYWW YY, years; WW, week.

For example, 24 represents 2024; 01 represents the first week of this year.

TIP122L: Product model.

