

COMPLIANT

PNP General Purpose Amplifier

Features

" (SR[\ PPHWV 8/ 9 IODPPDELOLW\ UDWLQJ
 "+DORJHQ IUHH DYDLODEOH XSRQ UHTXHVW E
 " 0RLVWXUH VHQVLWLYLW\ OHYHO
 " /RZ FROOHFWUR &DVHPLDWWLFRQ YROWDJH

Mechanical Data

" Package 627
 0ROGLQJ FRPSOLDQW/ PH9 IODPPDELOLW\ UDWLQJ
 5R+6 FRPSOLDQW KDORJHQ IUHH
 " Terminals: 7LQ SODWHG OHDGV VROGHUDEOH S
 - 67' DQG -(6' %
 " 0DUNLQJ

Maximum Ratings 7D - XQOHVV RWKHUZLVH QRWHG

Item	Symbol	Unit	Conditions	Value
0LQLPXP &ROOHFWRU (PLWWHU 9ROWDJH			9 & 9P\$ % ,	
0LQLPXP &ROOHFWRU %DVH 9ROWDJH &%2		9	9 & , X\$(,	
0LQLPXP (PLWWHU %DVH 9ROWDJH		(%2	9 (9 X\$& ,	
&ROOHFWRU &XUUHQW			\$	
&ROOHFWRU 'LVVLSDWLRQ		3&	P:	
7KHUPDO 5HVLVWDQFH)URP -XQFWLRQ \$7R \$PELHQW				
2SHUDWLRQ -XQFWLRQ 7HPSHUDWXUH M		-	7	WR
6WRUDJH 7HPSHUDWXUH		vWJ - 7		WR



2SB1188B

RoHS
COMPLIANT

Electrical Characteristics 7D XQOHVV RWKHUZZLVH QRWHG

Item	Symbol	Unit	Conditions	Min	TYP	Max
&ROOHFWRU (PLWWHU 9ROWDJH			9 &9 P\$ % ,		,	
&ROOHFWRU %DVH 9ROWDJH &%2			9 &9 X\$(,		,	
(PLWWHU %DVH 9ROWDJH (%2			9 (9 X\$& ,		,	
&ROOHFWRU %DVH FXW RII FXUUHQW			, X &% 9 \$			9
(PLWWHU %DVH FXW RII FXUUHQW			, X (% 9 \$			9
' & XUUHQW *DLQ) (K	&(9 &, P\$	9		
&ROOHFWRU (PLWWHU 6DWXUDWLRQ 9ROWDJH &9 \$ %9 P\$						
7UDQVLWLRQ)UHTXHQF\	7		& 0\$ &9 9+ 0+]]			,
2XWSXW &DSDFLWDQFH			&RE &% S9 (, 0+}}			

Ordering Information ([DP SOH

PREFERRED P/N	PACKING CODE	UNIT WEIGHT(g)	MINIMUM PACKAGE(pcs)	INNER BOX QUANTITY(pcs)	OUTER CARTON QUANTITY(pcs)	DELIVERY MODE
6% % 4)	\$SSUR[LPDWH				



Characteristics 7 \ SLFDO

Fig. 1 - Static Characteristics

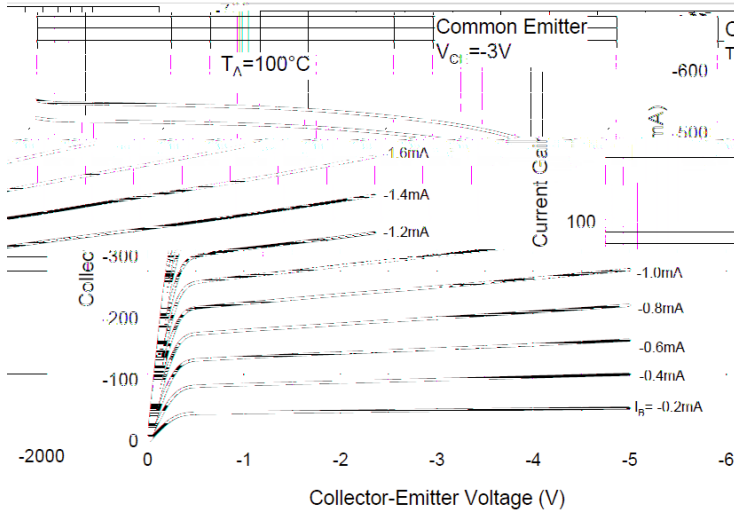


Fig. 2 - DC Current Gain Characteristics

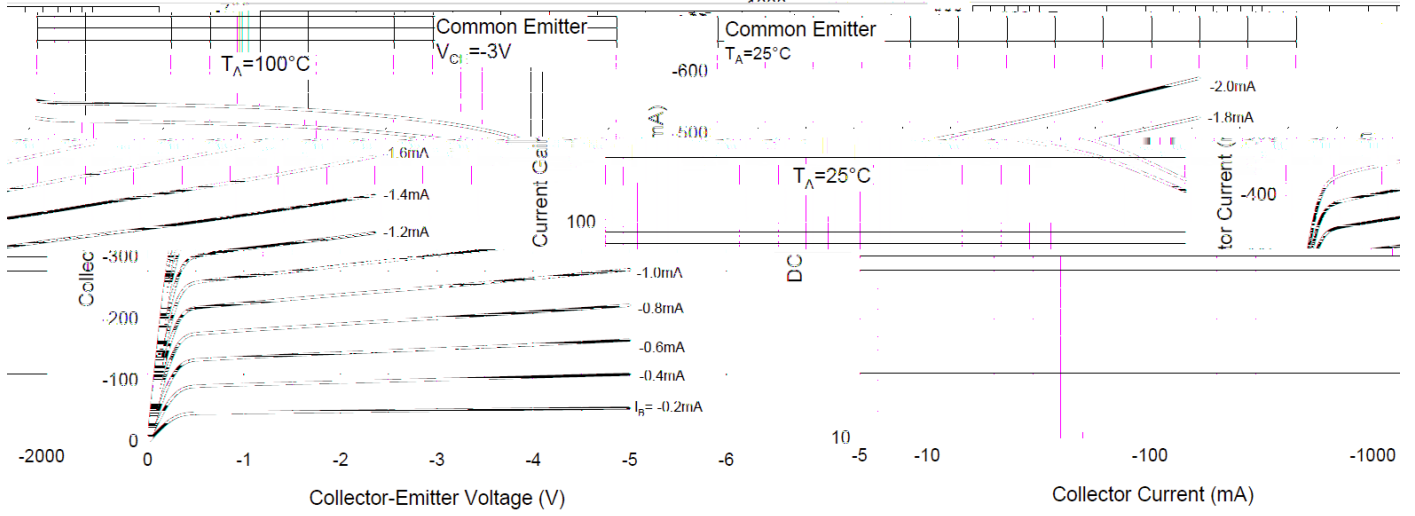


Fig. 3 - Collector-Emitter Saturation Voltage Characteristics

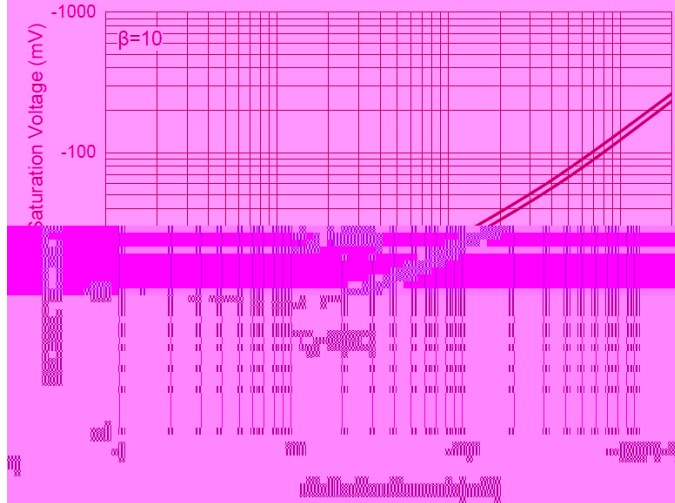


Fig. 4 - Base-Emitter Saturation Voltage Characteristics

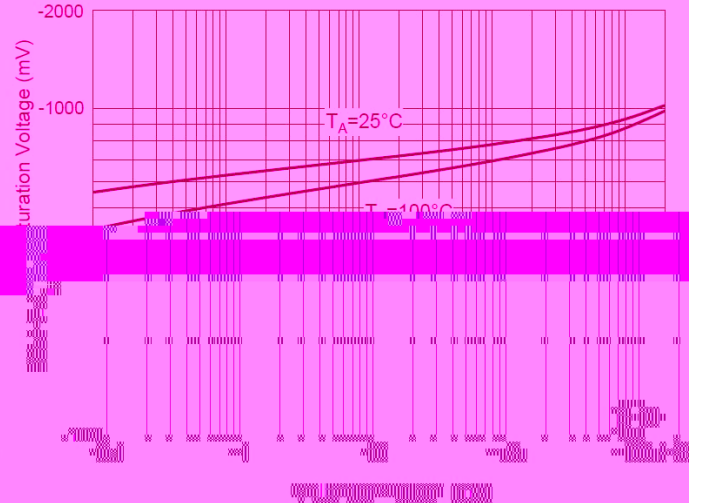


Fig. 5 - Base-Emitter Voltage Characteristics

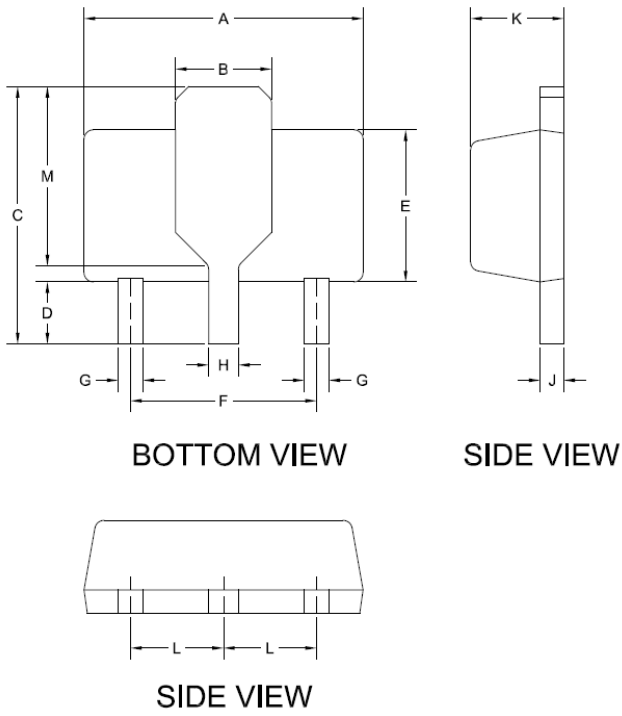


Fig. 6 - Power Derating Characteristics



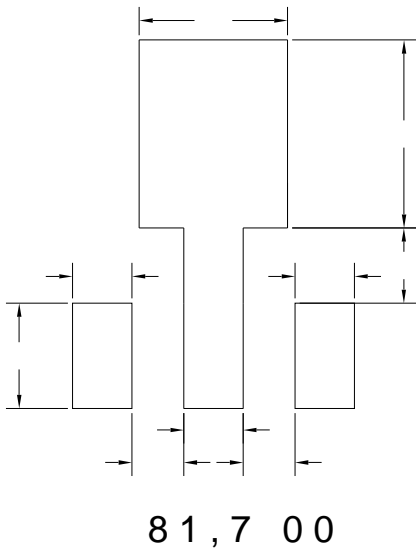


vSOT-89 Package Outline Dimensions



DIM	INCHES		MM	
	MIN.	MAX.	MIN.	MAX.
A	0.173	0.181	4.400	4.600
B	0.061 TYP.		1.550 TYP.	
C	0.155	0.167	3.940	4.250
D	0.031	0.047	0.800	1.200
E	0.094	0.102	2.400	2.600
F	0.118 TYP.		3.00 TYP.	
G	0.014	0.019	0.360	0.480
H	0.560	0.017	0.022	0.440
J	0.440	0.014	0.017	0.350
K	1.600	0.055	0.063	1.400
L	2.750 TYP.		0.108 TYP.	

SOT-89 Suggested Pad Layout





Disclaimer

7KH LQIRUPDWLRQ SGRFNDMWHG LV IRXNLVHDIHQJHQRK<BQJMLH (OHFWURQLF 7HFKQRO
ULJKW WR PDNH FKDLQJHVRZLWKR XWSKRLSULFDG\KFRQ/ RGLWSOD\HG KHUHLQ WURGLFSLWRQ
RU RWKHUZLVH

7KH SURGXFW OLVWHG KHUHLQ LV GHVHWHGWRFEHTXVLSBHZLWKRURGGHLYLDFHWVWIDQG
HTXLSPHQW RU GHYLFHV ZKLFK UHTGLWKRHKEDKOXQYFHWGRGURHHOZLWDLQKSDQXPHU
PHGLFDO LQVWUXPHQWVITWLSDFHGSVRUWHHURVSOXFFHDFDEKWLQDFWFRLOFRQDWRGRODHHU
GHYLFHV <DQJMLH RU DQIRQH RQ LWVDEWKDRI ODVEXLPHLWQRURWHDGSRQDPEBJHVHUV
RIVDOH

7KLV SXEOLFDWLRQISVXSHHUVHDIQVLQURQJPDVLSRQLSGHYRURXVGLWLRQDO LQWRHUPDWLR
KWWS ZZZ \DQJMLH FRP RU FRQDQGWRRXLFHQHFDW\HXUW<DQJMLH VWDQFH